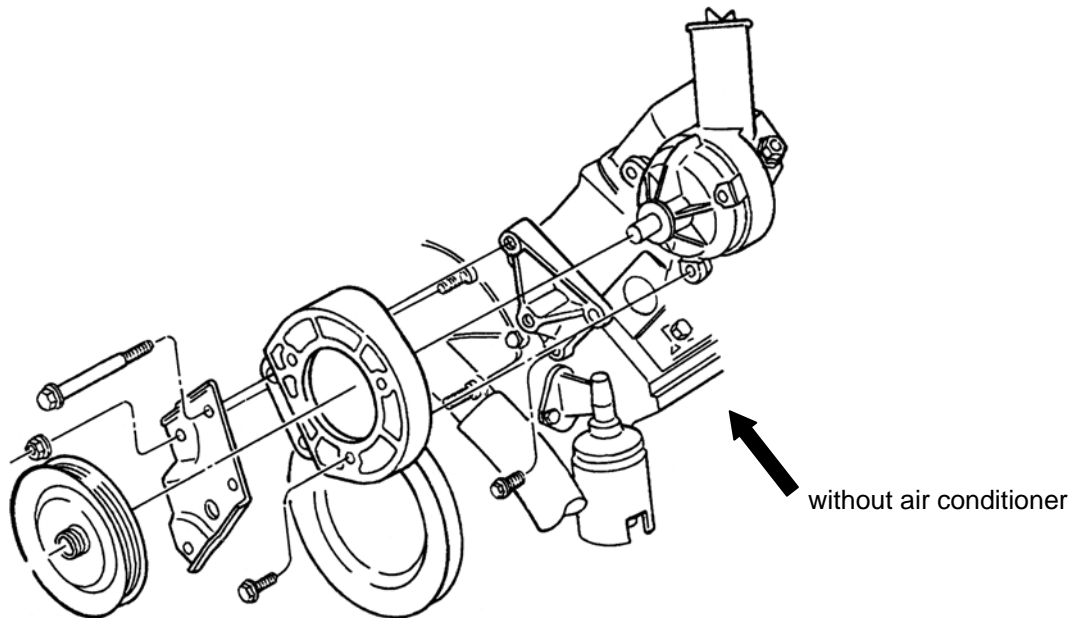
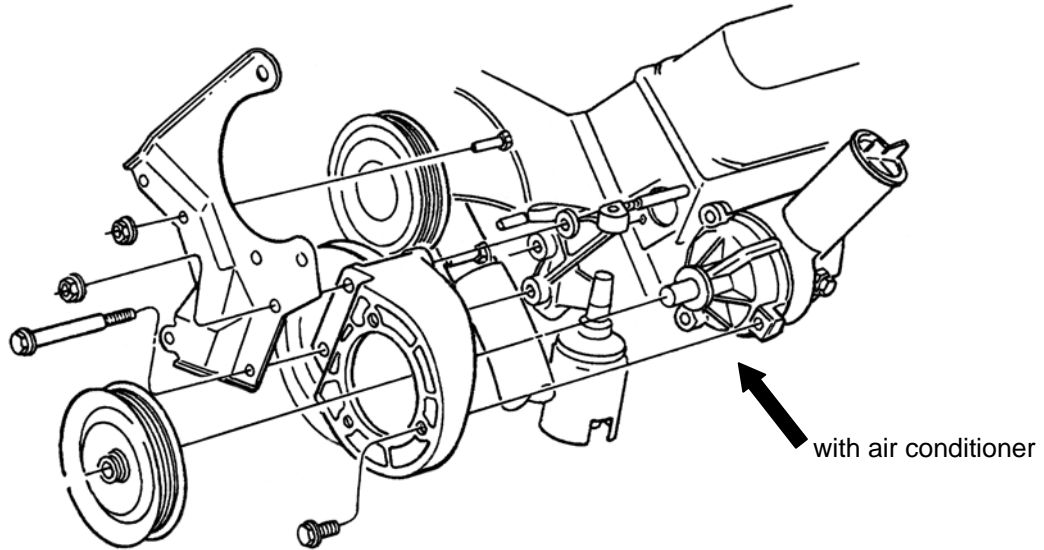




# M-8511-A50 A/C Eliminator Kit INSTRUCTION SHEET

NO PART OF THIS DOCUMENT MAY BE REPRODUCED WITHOUT PRIOR AGREEMENT AND WRITTEN PERMISSION OF FORD RACING PERFORMANCE PARTS

## INSTALLATION INSTRUCTIONS:



**Tech "Hot Line" (586) 468-1356**

Factory Ford shop manuals are available from Helm Publications, 1-800-782-4356

IS-1850-0081